



**IROQUOIS CENTER**  
 1163 E. OGDEN AVE STE. 701  
 NAPERVILLE, IL 60563  
 SQUARE FOOTAGE: ±1,080  
**UNIT 25**

**EXISTING CONSTRUCTION**

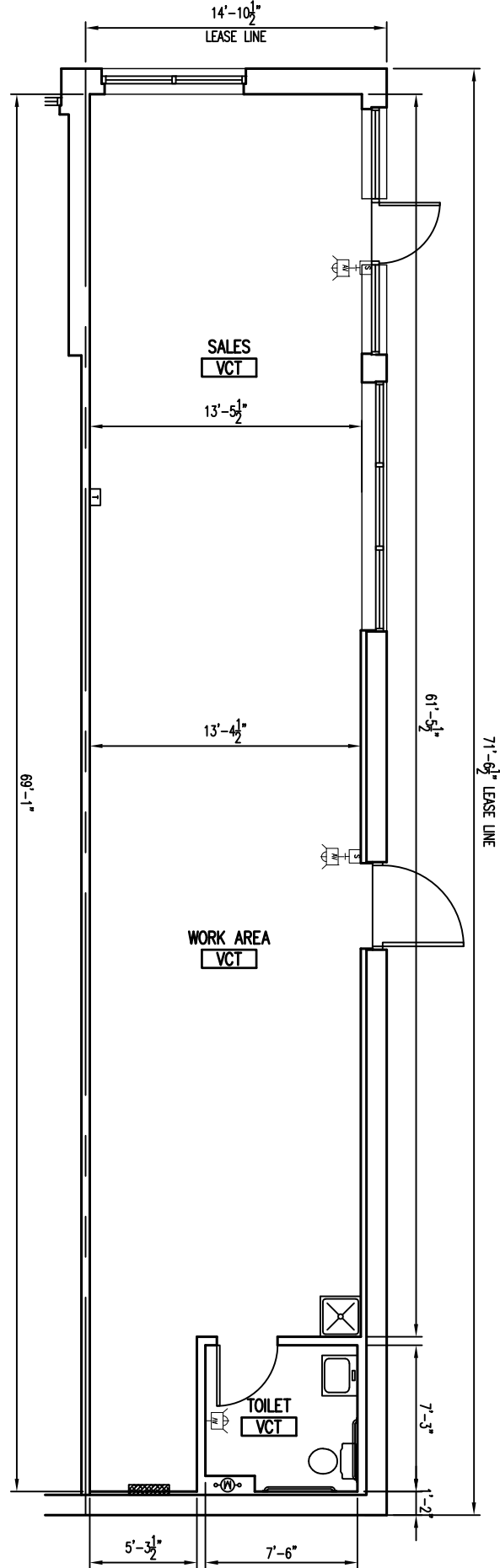
FRONT/SIDE:  
 ALUM. STOREFRONT ASSEMBLY  
 (1" INSUL. GLASS) / GYP. BD.  
 OVER MTL. FURRING OVER  
 MASONRY  
 SIDE:  
 1 HR. GYP. BD. DEMISING WALL  
 REAR:  
 GYP. BD. OVER MTL.  
 FURRING OVER MASONRY

SALES:  
 2x4 RECESSED  
 FLUORESCENT FIXTURES  
 2x4 CEILING TILE & GRID  
 FINISHES:  
 PAINT, WD BASE

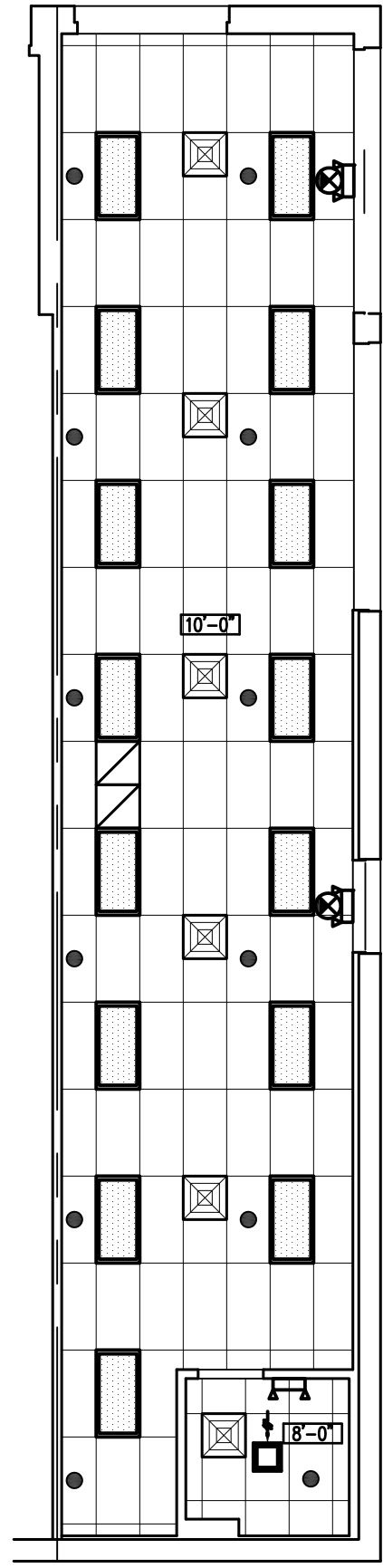
TOILET (ADA):  
 2x4 CEILING TILE & GRID  
 LAVATORY  
 WATER CLOSET  
 COMBO LIGHT/EXHAUST FAN  
 FINISHES:  
 PAINT & VINYL BASE

ELECTRICAL  
 200A 120/208V, 3Ø  
 4W 42 BRKR PANEL

WATER SERVICE 3/4"Ø



**FLOOR PLAN**  
 SCALE: 1/8" = 1'-0"



**CEILING PLAN**  
 SCALE: 1/8" = 1'-0"

**LEGEND**

	FLUORESCENT LIGHT FIXTURE		SPRINKLER HEAD
	BATTERY PACK EMERGENCY FIXTURE		THERMOSTAT
	EXIT SIGN		POWER PANEL
	TOILET EXHAUST FAN		DIFFUSER / REGISTER
	DOWNLIGHT FIXTURE		F.A. DEVICES

